

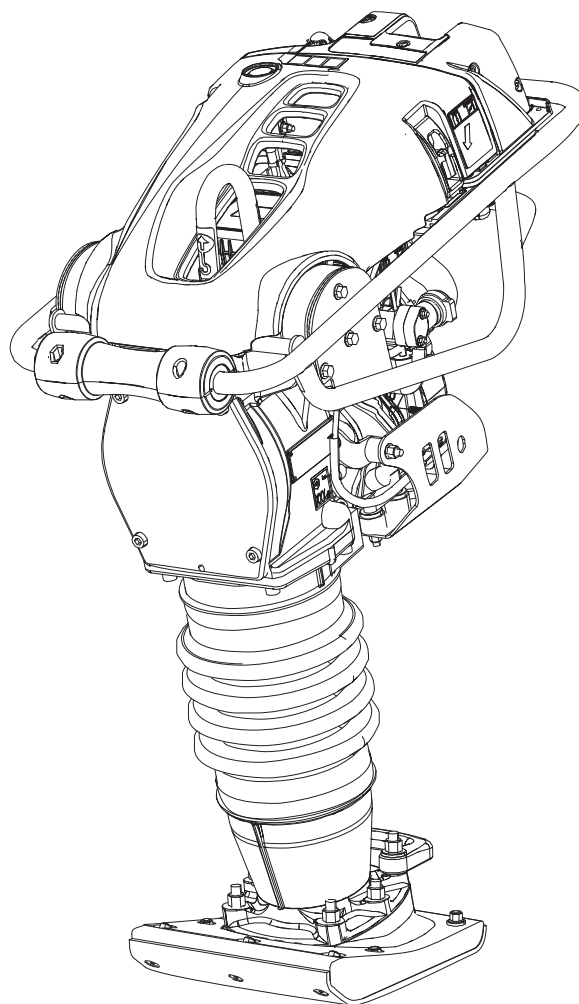


Chicago Pneumatic

Spare parts list

Rammer MS 690

	Valid from serial number
MS 690 230 mm (9 in.)	76110007
MS 690 280 mm (11 in.)	76110007



Contents

General information	5
Spare parts list	6
Handle.....	6
Transmission.....	8
Spring unit.....	10
Foot 230 mm (9 in.).....	12
Foot 280 mm (11 in.).....	14
Extended foot.....	16
Engine installation.....	18
Air filter installation.....	20
Fuel tank.....	22
Fuel system.....	26
Labels.....	28
Kits	30
One year service kit.....	30
Shock absorber repair kit.....	30
Transmission repair kit.....	31
Spring unit repair kit.....	31
Foot 230 mm (9 in.) repair kit.....	32
Foot 280 mm (11 in.) repair kit.....	32
Silent foot 280 mm (11 in.) kit.....	33

General information

This spare parts list applies to the following:

Part number	Description
4812 0991 34	Rammer MS 690 230 mm (9 in.)
3382 0000 98	Rammer MS 690 280 mm (11 in.)

Use only authorized parts. Any damage or malfunction caused by the use of unauthorized parts is not covered by Warranty or Product Liability. Any unauthorized use or copying of the contents or any part thereof is prohibited. This applies in particular to trademarks, model denominations, part numbers, and drawings.

Instructions for use

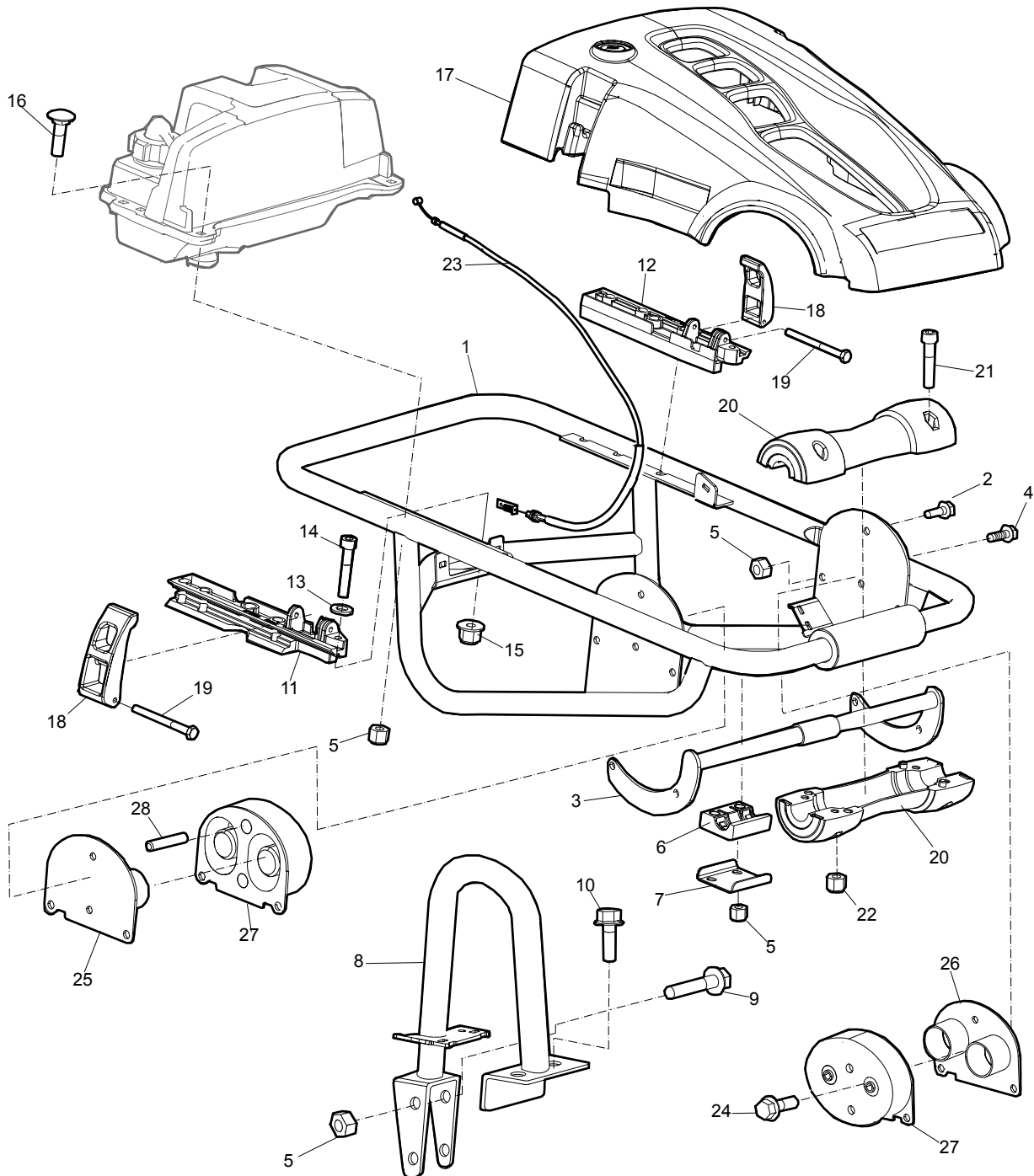
This spare parts list contains no safety regulations and is merely intended to assist in the ordering of spare parts.

For information about operating, servicing, or repairing, the relevant Safety and operating instructions must be consulted at all costs.

Please observe the safety instructions listed in the relevant Safety and operating instructions!

Spare parts list

Handle

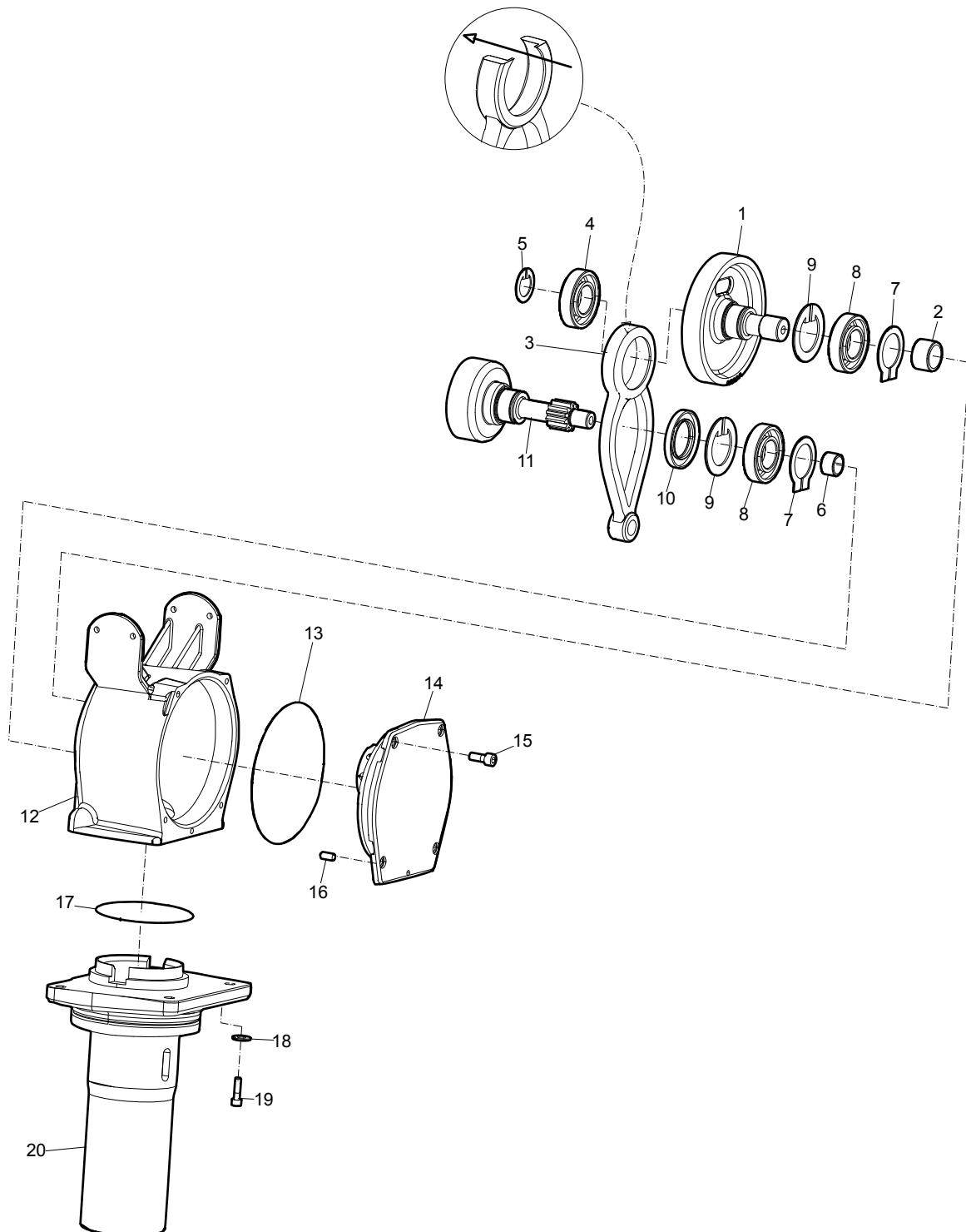


MS 690

Spare parts list

No.	Description	Remark	Quantity	Part number
1	Handle		1	3382 0100 33
2	Screw	M8 x 20 mm 8.8	4	-
3	Bracket		1	3382 0102 12
4	Screw	M8 x 25 mm 8.8	4	-
5	Nut	M8 x 1.25 mm	16	-
6	Bracket		2	-
7	Plate		2	4700 3849 42
8	Lifting lug		1	4700 3854 39
9	Screw	M8 x 45 mm 8.8	2	-
10	Screw	M10 x 30 mm 8.8	2	-
11	Spacer	Right	1	4700 3778 88
12	Spacer	Left	1	4700 3778 87
13	Washer	6.4 x 12 x 1.5 mm 0.25 x 0.47 x 0.06 in. 300 HV	2	-
14	Screw	M6 x 35 mm 8.8	2	-
15	Nut	M6	2	-
16	Screw	M8 x 50 mm	6	-
17	Hood		1	4812 0705 42
18	Hood lock		2	4700 3792 33
19	Screw	M10 x 100 mm 8.8	2	-
20	Roller		2	4700 3844 96
21	Screw	M6 x 30 mm 8.8	4	-
22	Nut	M6	4	-
23	Throttle cable		1	4700 3775 78
24	Screw	M8 x 30 mm 8.8	4	-
25	Angle stop	Right	1	4700 3867 87
26	Angle stop	Left	1	4700 3867 86
27	Shock absorber		2	4700 3867 85
28	Cylindrical pin		4	4700 7913 23

Transmission

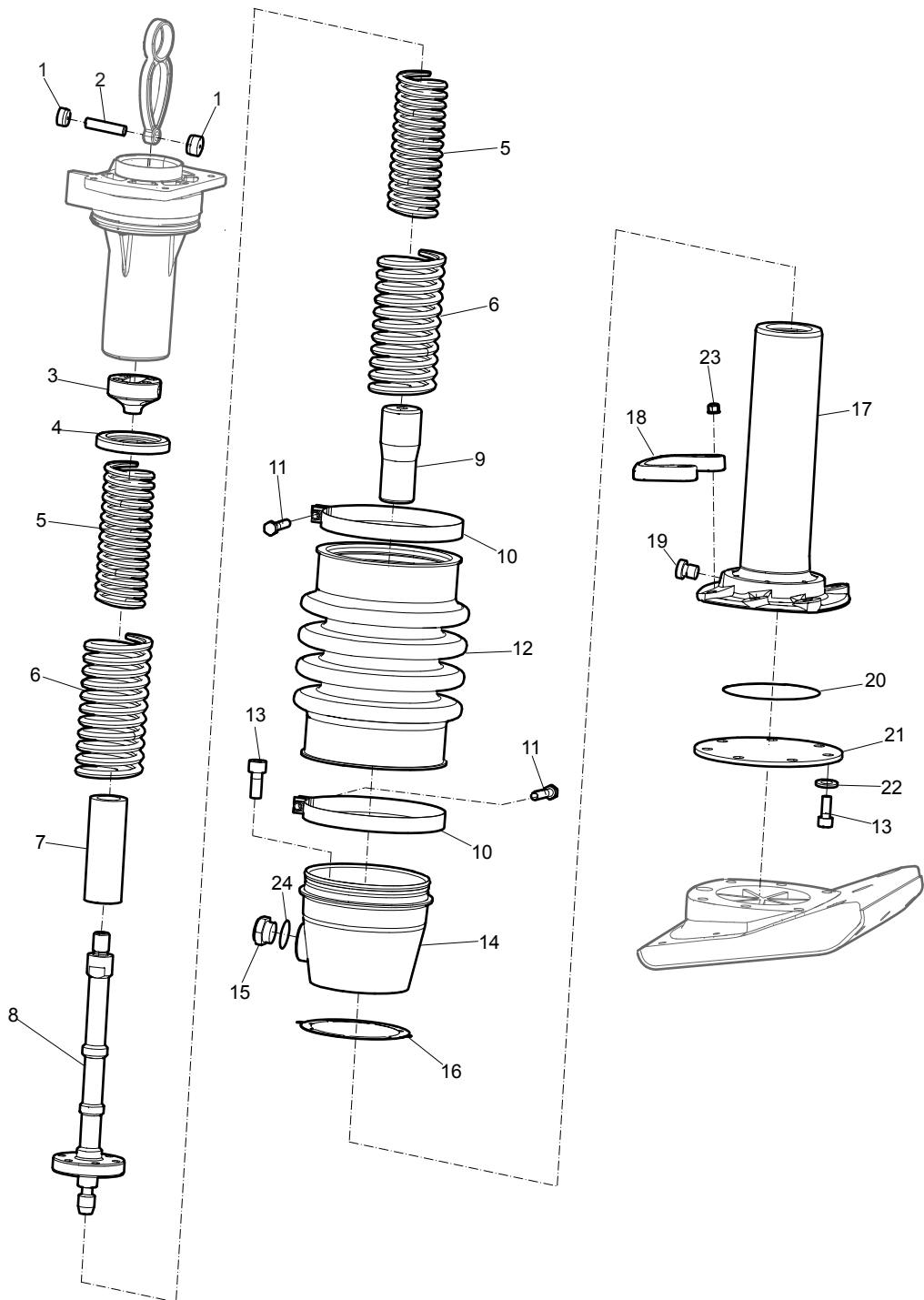


MS 690

Spare parts list

No.	Description	Remark	Quantity	Part number
1	Gear wheel		1	4700 3809 06
2	Needle bearing		1	4700 9049 50
3	Connecting rod		1	4700 3809 20
4	Ball bearing		1	4700 1110 78
5	Snap ring		1	4700 1500 09
6	Needle bearing		1	4700 9049 49
7	Snap ring		2	4700 1500 14
8	Bearing		2	4700 9035 20
9	Snap ring		2	4700 1510 25
10	Sealing		1	4700 9049 52
11	Shaft		1	4700 3814 77
12	Crankcase		1	4700 3884 03
13	O-ring	210 x 3 mm 8.27 x 0.12 in. (70 shore)	1	4700 1601 06
14	Cover		1	4700 3773 32
15	Screw	M10 x 25 mm 8.8	4	-
16	Pin		1	4700 6280 06
17	O-ring	104.5 x 3 mm 4.11 x 0.12 in. (70 shore)	1	4700 1600 35
18	Washer	10.5 x 22 x 2 mm 0.41 x 0.87 x 0.08 in. 300 HV	4	-
19	Screw	M10 x 35 mm 8.8	4	-
20	Outer tube		1	4700 3954 79

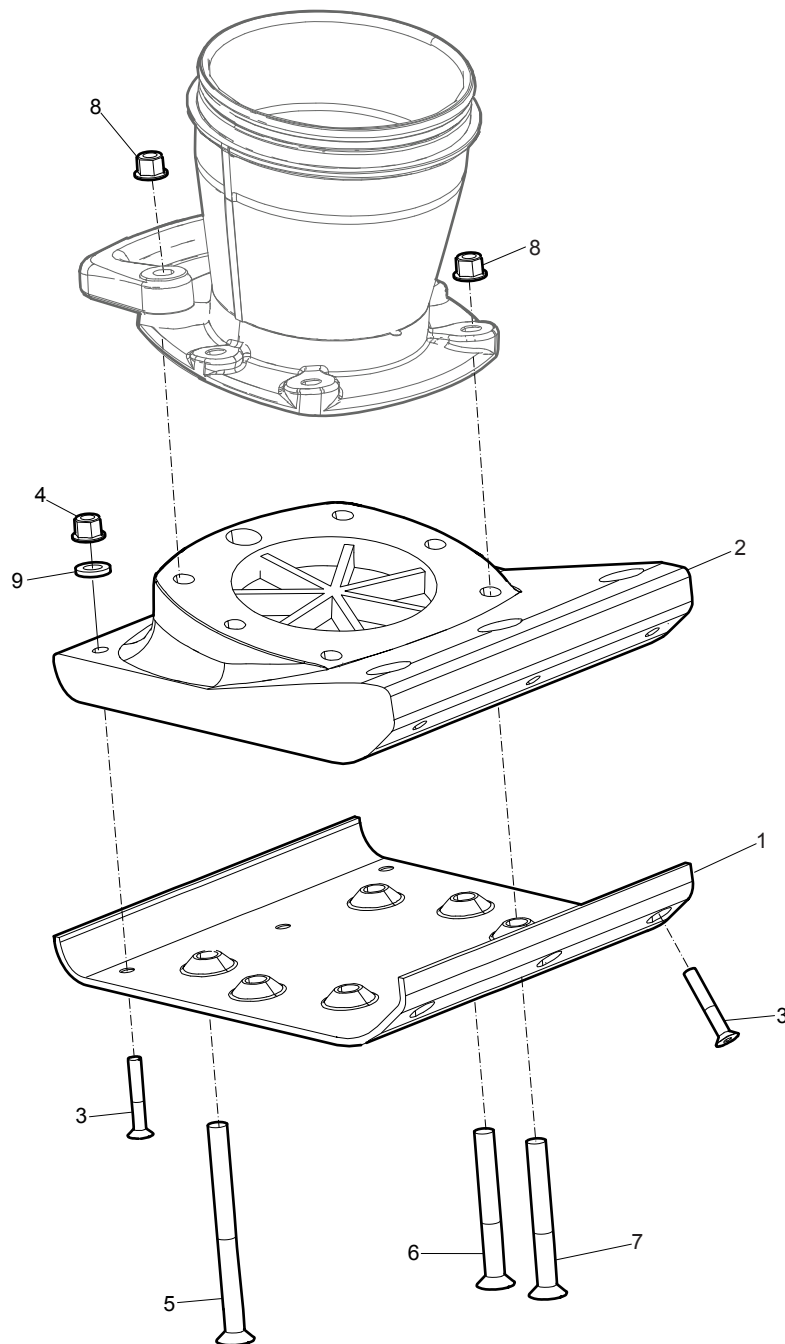
Spring unit



MS 690

Spare parts list

No.	Description	Remark	Quantity	Part number
1	Plug		2	4700 3814 82
2	Piston bolt		1	4700 3814 79
3	Rod piston head		1	4700 3819 61
4	Lid		1	4700 3836 81
5	Spring	59 x 225 mm 2.32 x 8.86 in.	2	4700 3808 95
6	Spring	81 x 225 mm 3.20 x 8.86 in.	2	4700 3808 94
7	Stop		1	4700 3808 99
8	Rod piston		1	4700 3836 68
9	Stop		1	4700 3809 02
10	Hose clamp		2	4700 2836 31
11	Screw	M8 x 40 mm 8.8 A2K	2	-
12	Bellows		1	4812 0705 41
13	Screw	M8 x 20 mm 8.8 A2K	12	-
14	Bellows support		1	4700 3884 09
15	Sight plug		1	4700 7913 95
16	Gasket		1	4700 3836 66
17	Inner tube		1	4700 3836 69
18	Handle		1	4700 3844 16
19	Plug		1	4700 9049 51
20	O-ring	129.5 x 3 mm 5.10 x 0.12 in. (70 shore)	1	4700 1600 54
21	Lid		1	4700 3823 69
22	Seal ring		6	4700 1620 09
23	Nut	M8 x 1.25 mm A2K	2	-
24	Fiber washer	27 x 32 x 2 mm 1.06 x 1.26 x 0.08 in.	1	4700 7913 76

Foot 230 mm (9 in.)

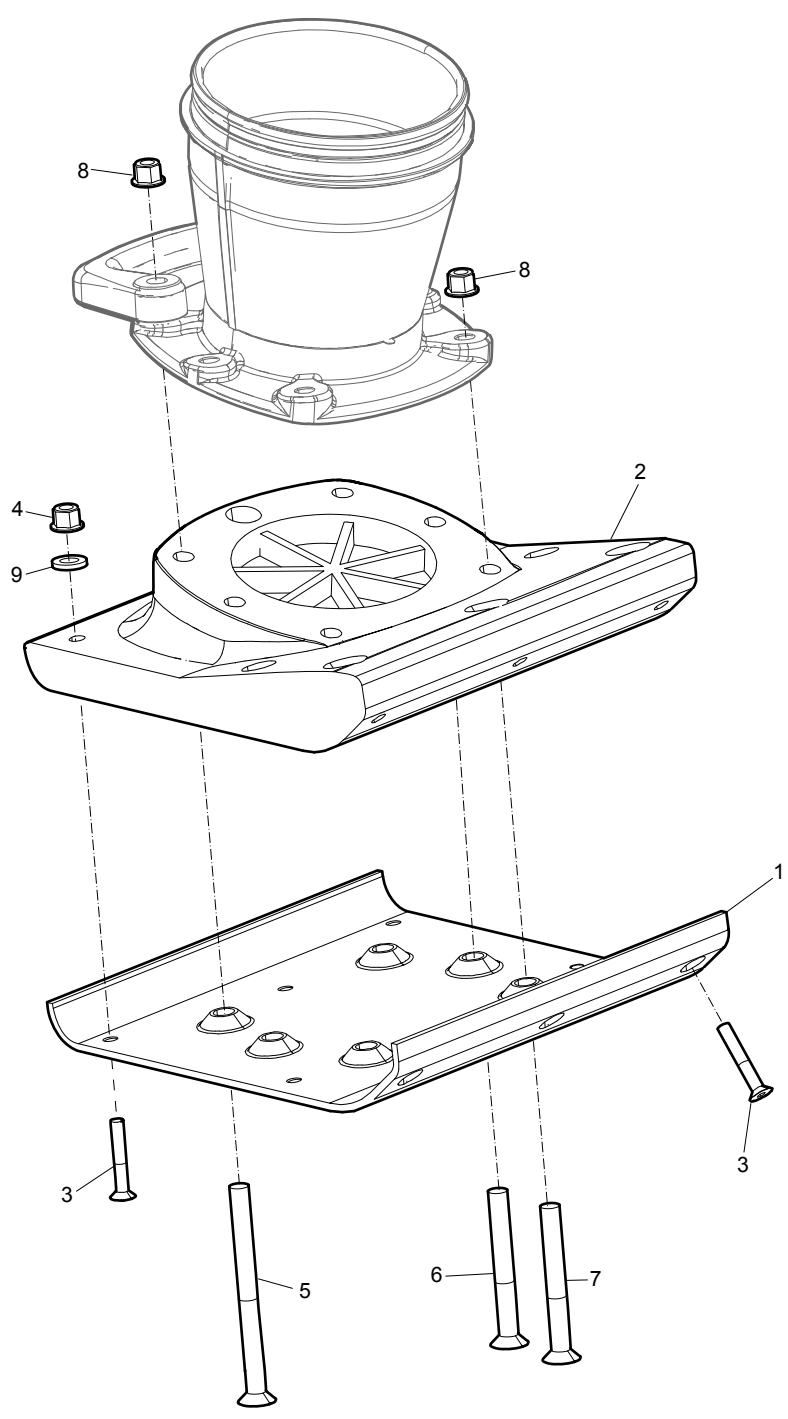
MS 690**Spare parts list**

No.	Description	Remark	Quantity	Part number
1	Ground plate	230 mm 9 in.	1	4700 3826 87
2	Foot	230 mm 9 in.	1	4700 3826 88
3	Screw	M8 x 50 mm 8.8 NYLOK BLUE PATCH™ (Known as TUF-LOK® in Europe)	6	4700 7913 31
4	Nut	M8 x 1.25 mm A2K	6	4700 9022 86
5	Screw	M12 x 150 mm 10.9 GEOMET®	2	4700 7913 39
6	Screw	M12 x 100 mm 10.9 GEOMET®	2	4700 7910 85
7	Screw	M12 x 110 mm 10.9 GEOMET®	2	4700 7913 37
8	Nut	M12 x 1.75 mm A3K	6	-
9	Washer	8.4 x 22 x 3 mm 0.33 x 0.87 x 0.12 in. HV300	6	-

NYLOK BLUE PATCH is a trademark of Nylok Corporation. TUF-LOK is a registered trademark of Nylok Corporation in Europe.

GEOMET is a registered trademark of Nof Metal Coatings North America Inc.

Foot 280 mm (11 in.)



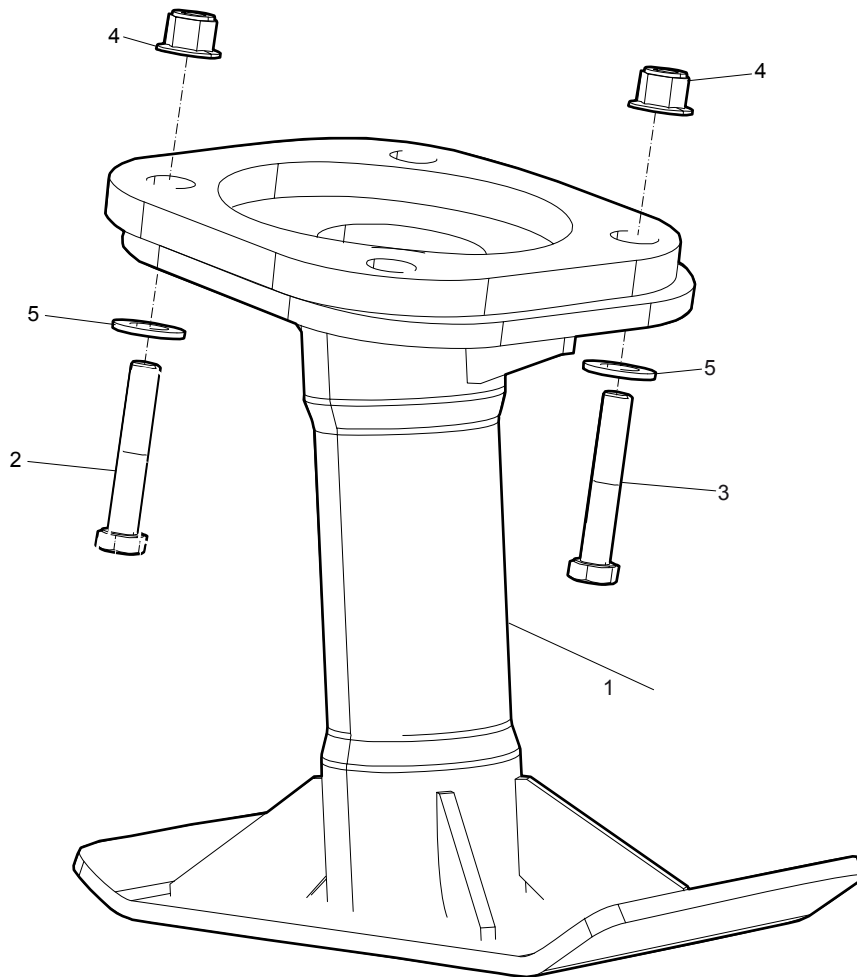
MS 690**Spare parts list**

No.	Description	Remark	Quantity	Part number
1	Ground plate	280 mm 11 in.	1	4700 3823 71
2	Foot	280 mm 11 in.	1	4700 3823 66
3	Screw	M8 x 50 mm 8.8 NYLOK BLUE PATCH™ (Known as TUF-LOK® in Europe)	8	4700 7913 31
4	Nut	M8 x 1.25 mm A2K	8	-
5	Screw	M12 x 150 mm 10.9 GEOMET®	2	4700 7913 39
6	Screw	M12 x 100 mm 10.9 GEOMET®	2	4700 7910 85
7	Screw	M12 x 110 mm 10.9 GEOMET®	2	4700 7913 37
8	Nut	M12 x 1.75 mm A3K	6	-
9	Washer	8.4 x 22 x 3 mm 0.33 x 0.87 x 0.12 in. HV300	8	-

NYLOK BLUE PATCH is a trademark of Nylok Corporation. TUF-LOK is a registered trademark of Nylok Corporation in Europe.

GEOMET is a registered trademark of Nof Metal Coatings North America Inc.

Extended foot

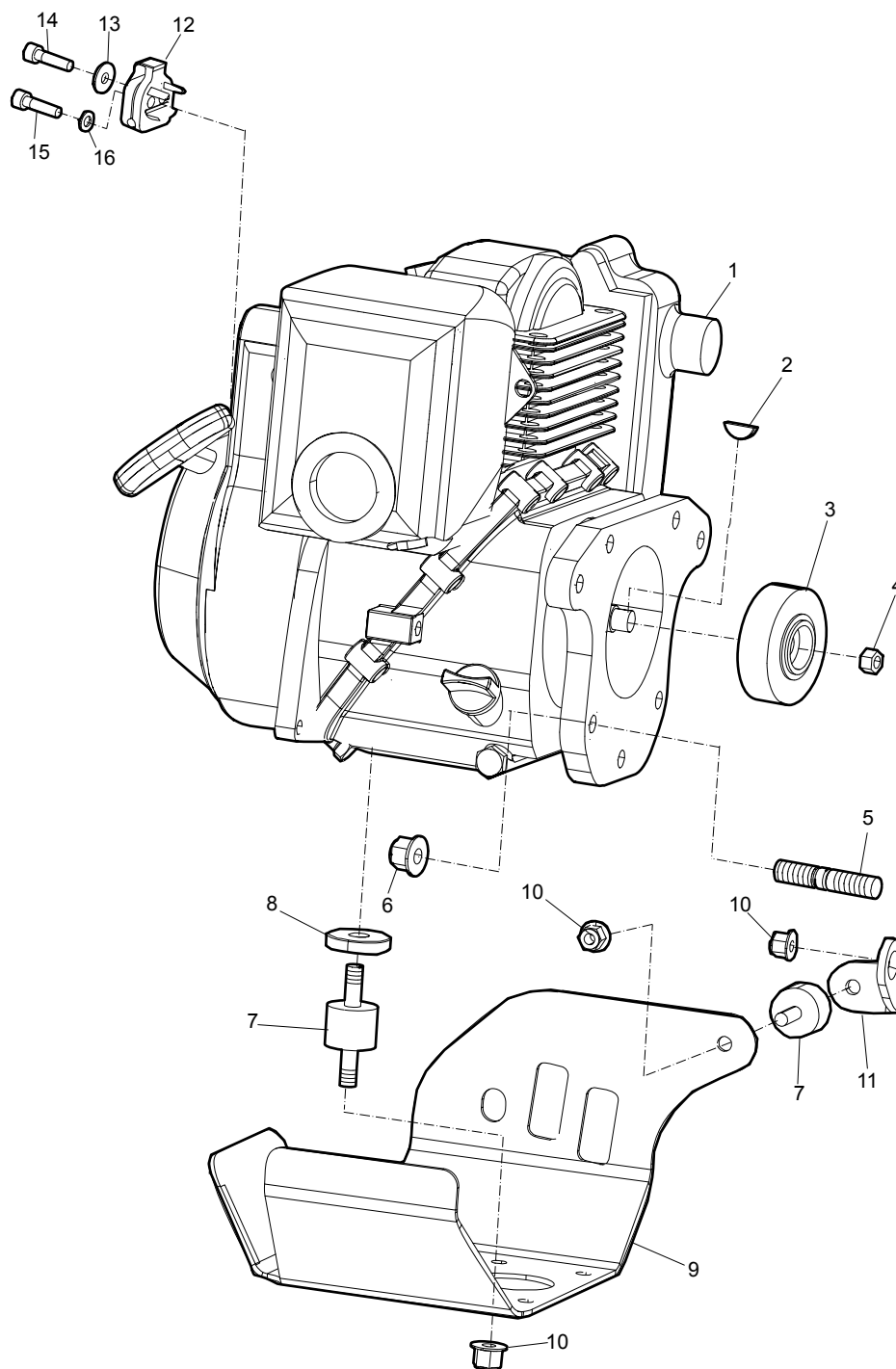


MS 690**Spare parts list**

No.	Description	Remark	Quantity	Part number
1	Extended foot		1	4700 3899 79
2	Screw	M12 x 70 mm 10.9 GEOMET®	2	4700 9037 35
3	Screw	M12 x 90 mm 10.9 GEOMET®	2	4700 9281 98
4	Nut	M12 x 1.75 mm	4	-
5	Washer	3 x 24 x 2 mm 0.51 x 0.98 x 0.08 in. 300 HV	4	-

GEOMET is a registered trademark of Nof Metal Coatings North America Inc.

Engine installation

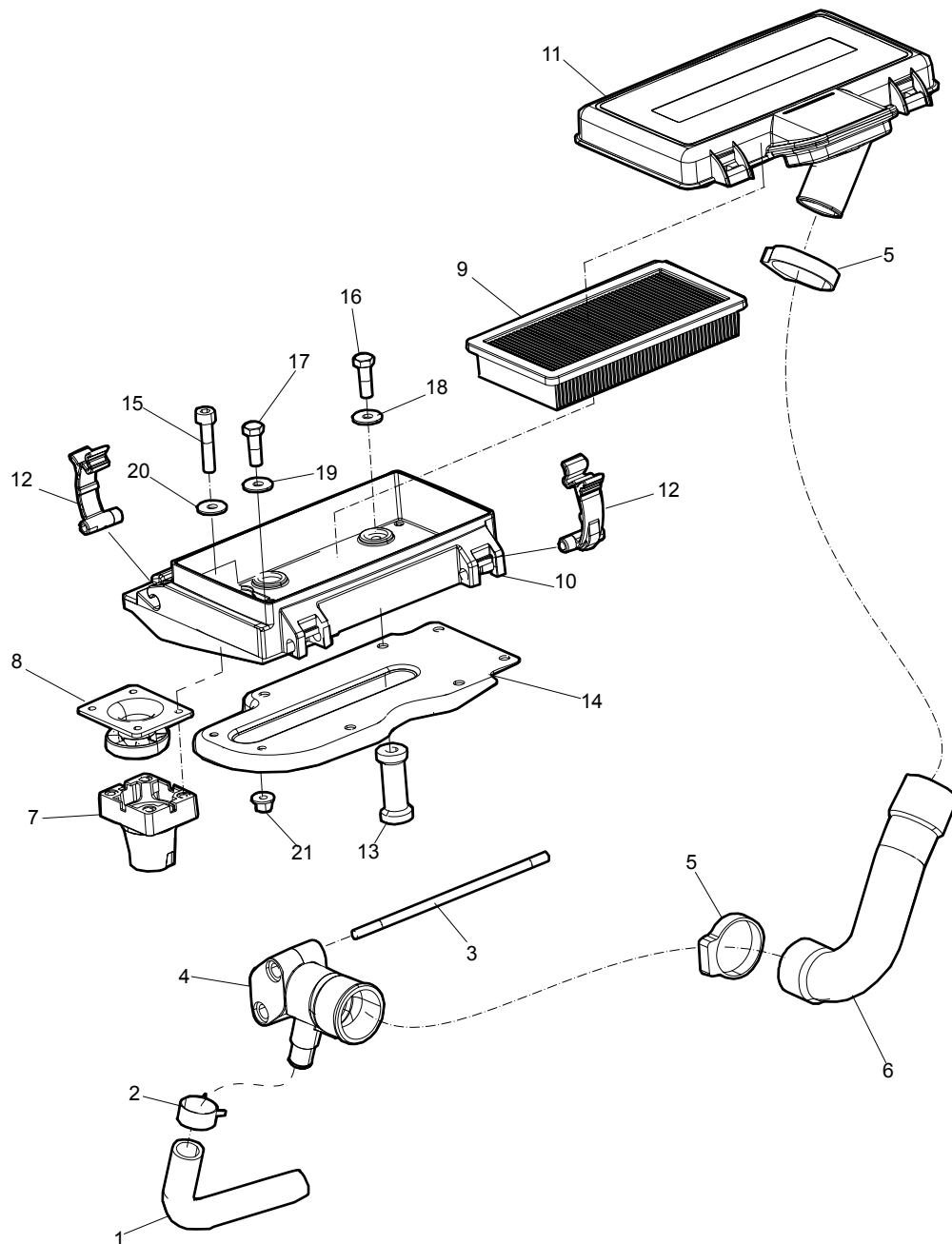


MS 690

Spare parts list

No.	Description	Remark	Quantity	Part number
1	Engine	Honda GX100U KRDA	1	4812 0702 00
2	Key		1	4700 3849 92
3	Centrifugal clutch		1	4700 9356 96
4	Nut	M12 x 1.25 mm A3K	1	-
5	Stud	M10 x 47 mm	4	4700 3845 17
6	Nut	M10	4	-
7	Shock absorber		5	4700 7925 31
8	Washer	8.4 x 25 x 2 mm 0.33 x 0.98 x 0.12 in.	4	4700 6030 09
9	Engine stay		1	4812 0700 79
10	Nut	M8 x 1.25 mm A2K	7	-
11	Bracket		1	4812 0700 86
12	Cable holder		1	4700 3873 92
13	Washer	8.4 x 25 x 2 mm 0.33 x 0.98 x 0.08 in.	1	-
14	Screw	M5 x 20 mm 8.8 A2K	1	-
15	Screw	M5 x 16 mm 8.8 A2K	1	-
16	Washer	5.3 x 10 x 1 mm 0.21 x 0.39 x 0.04 in. 300 HV	1	-

Air filter installation



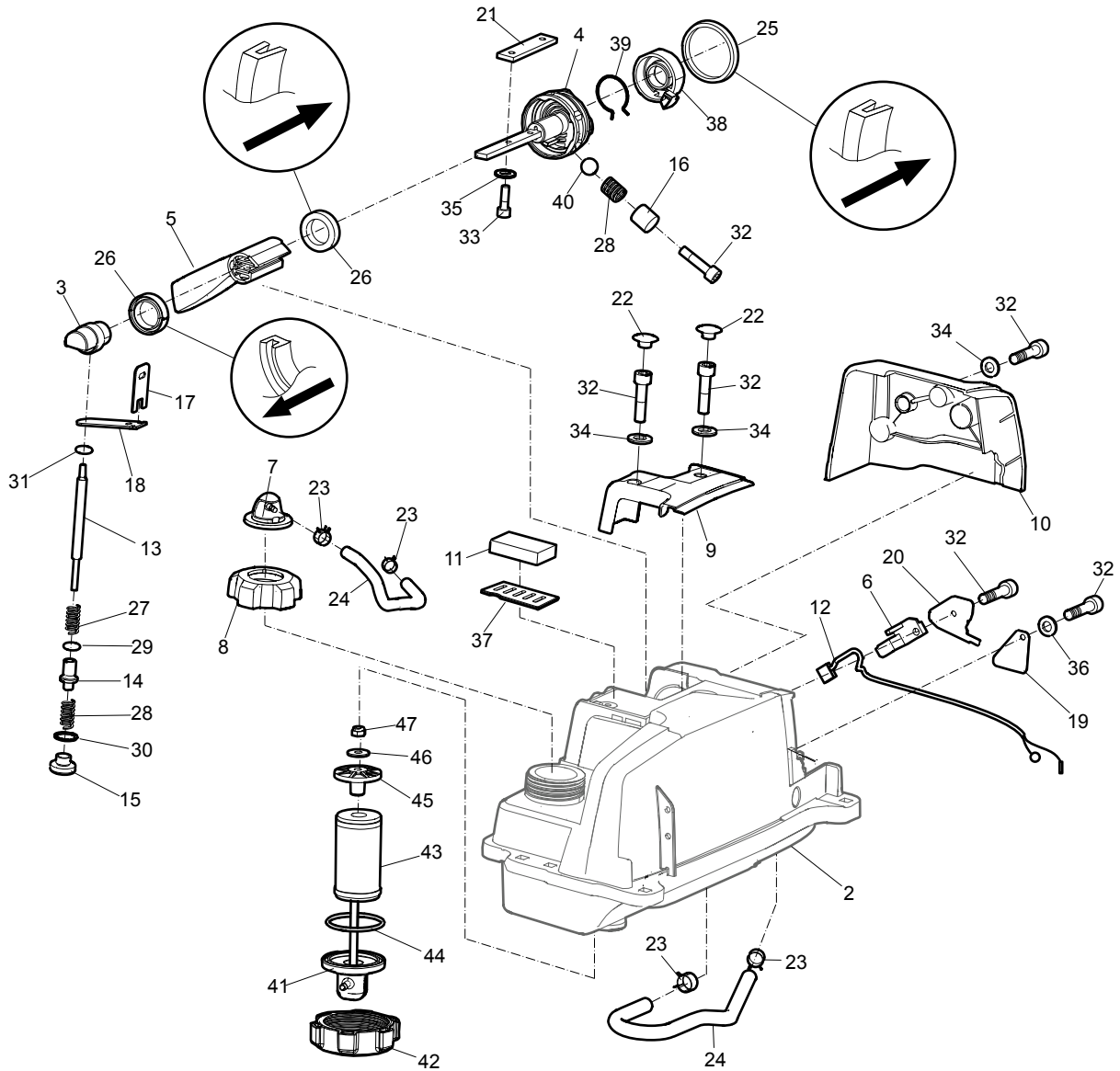
MS 690

Spare parts list

No.	Description	Remark	Quantity	Part number
1	Hose		1	4700 3790 40
2	Hose clamp	18.6 x 8 mm 0.73 x 0.31 in. 300 HV	1	4700 7922 69
3	Stud		2	4700 9455 54
4	Hose connection		1	4700 3793 33
5	Hose clamp	35 x 8 mm 1.38 x 0.31 in. 300 HV	2	4700 7922 78
6	Hose		1	4700 3794 89
7	Cyclone housing		1	4700 3771 80
8	Cyclone		1	4700 3771 79
9	Air filter		1	4700 3773 28
10	Air filter housing		1	4700 3768 53
11	Cover		1	4700 3771 84
12	Clips		2	4700 3774 24
13	Spacer		4	4700 3936 18
14	Bracket		1	4700 3780 32
15	Screw	M5 x 25 mm 8.8 A2K	4	-
16	Screw	M6 x 60 mm 8.8 A2K	4	-
17	Screw	M5 x 16 mm 8.8 A2K	2	-
18	Washer	6.4 x 12 x 1.5 mm 0.25 x 0.47 x 0.06 in. 300 HV	4	-
19	Washer	5.3 x 10 x 1 mm 0.21 x 0.39 x 0.04 in. 300 HV	2	-
20	Washer	8.4 x 25 x 2 mm 0.33 x 0.98 x 0.08 in.	4	-
21	Nut	M5 A2K	2	-

Fuel tank

1																																														
2	3	4	5	6	7	8	9	10	11	12	13	14	15	16	17	18	19	20	21	22	23	24	25	26	27	28	29	30	31	32	33	34	35	36	37	38	39	40	41	42	43	44	45	46	47	



MS 690

Spare parts list

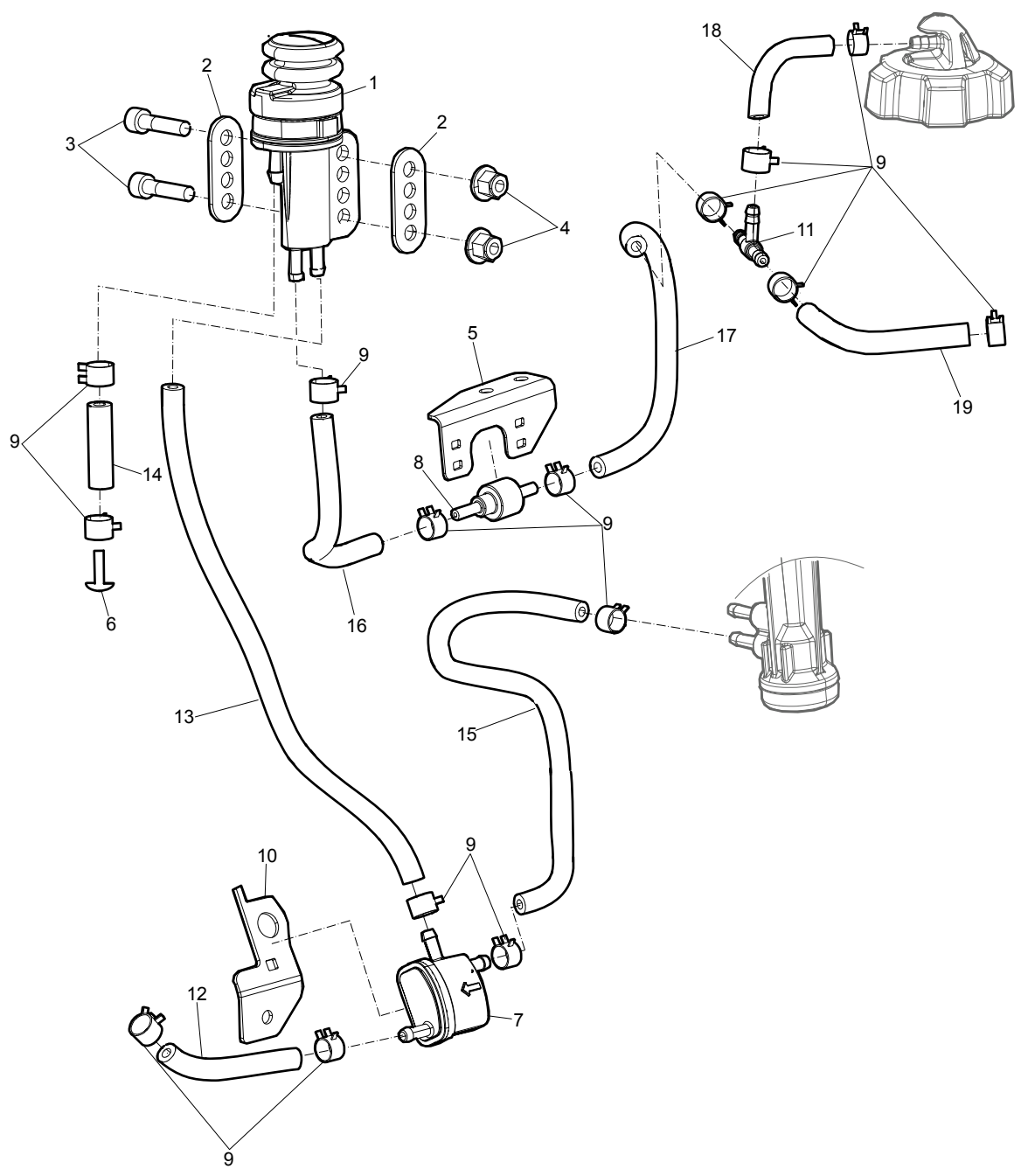
No.	Description	Remark	Quantity	Part number
1(2-47)	Fuel tank, complete		1	4700 3933 99
2	Tank		1	-
3	Eccentric stud		1	4700 3850 30
4	Positioner		1	4700 3793 83
5	Handle		1	4700 3850 24
6	Bracket		1	4700 3850 26
7	Air inlet cover		1	4700 3850 19
8	Fuel cap		1	4700 3837 18
9	Cover		1	4700 3850 17
10	Cover		1	4700 3850 13
11	Filter		1	4700 3850 38
12	Micro switch		1	4700 3840 06
13	Valve shaft		1	4700 3837 26
14	Fuel valve		1	4700 3837 24
15	Plug		1	4700 3837 20
16	Bushing		1	4700 3861 48
17	Plate		1	4700 3850 33
18	Plate		1	4700 3837 28
19	Bracket		1	4700 3850 34
20	Bracket		1	4700 3849 41
21	Plate		1	4700 3849 50
22	Plug		2	4700 7913 24
23	Hose clamp		4	4700 7915 74
24	Hose		2	4700 7926 13
25	Sealing		1	4700 7913 30
26	Sealing		2	4700 7913 29
27	Spring	1.3 x 6.5 x 25 mm 0.05 x 0.26 x 0.98 in.	1	4700 7914 98
28	Spring	1.6 x 12 x 26.5 mm 0.06 x 0.47 x 1.04 in.	2	4700 7914 99
29	O-ring	8 x 2.5 mm 0.31 x 0.10 in. FPM Viton® (60 shore)	1	4700 7913 26
30	O-ring	22 x 2.5 mm 0.87 x 0.10 in. FPM 592 Viton®	1	4700 7913 28
31	O-ring	5.3 x 2.4 mm 0.21 x 0.09 in. FPM Viton® (70 shore)	1	4700 7913 27
32	Screw	M6 x 25 mm 8.8 A2K	7	-
33	Screw	M5 x 16 mm 8.8 A2K	2	-
34	Washer	6.4 x 12 x 1.5 mm 0.25 x 0.47 x 0.06 in. 300 HV	4	-
35	Washer	5.3 x 10 x 1 mm 0.21 x 0.39 x 0.04 in. 300 HV	1	-
36	Washer	6.4 x 18 x 1.6 mm 0.25 x 0.71 x 0.06 in.	1	-
37	Plate		1	4700 3884 99
38	Retainer		1	4700 3793 84
39	Spring		1	4700 3794 04
40	Ball		1	4700 7913 25
41	Bracket		1	4700 3908 03
42	Cover		1	4700 3908 04
43	Fuel filter		1	4700 3952 38

Spare parts list**MS 690**

No.	Description	Remark	Quantity	Part number
44	O-ring	43 x 3 mm 1.69 x 0.12 in. FPM 80 Viton® (90 shore)	1	4700 7925 14
45	Bushing		1	4700 3980 02
46	Washer	6 x 18 x 2 mm 0.24 x 0.71 x 0.08 in. 300 HV	1	-
47	Nut	M6 DIN985	1	-

Viton is a registered trademark of DuPont Performance Elastomers LLC.

Fuel system

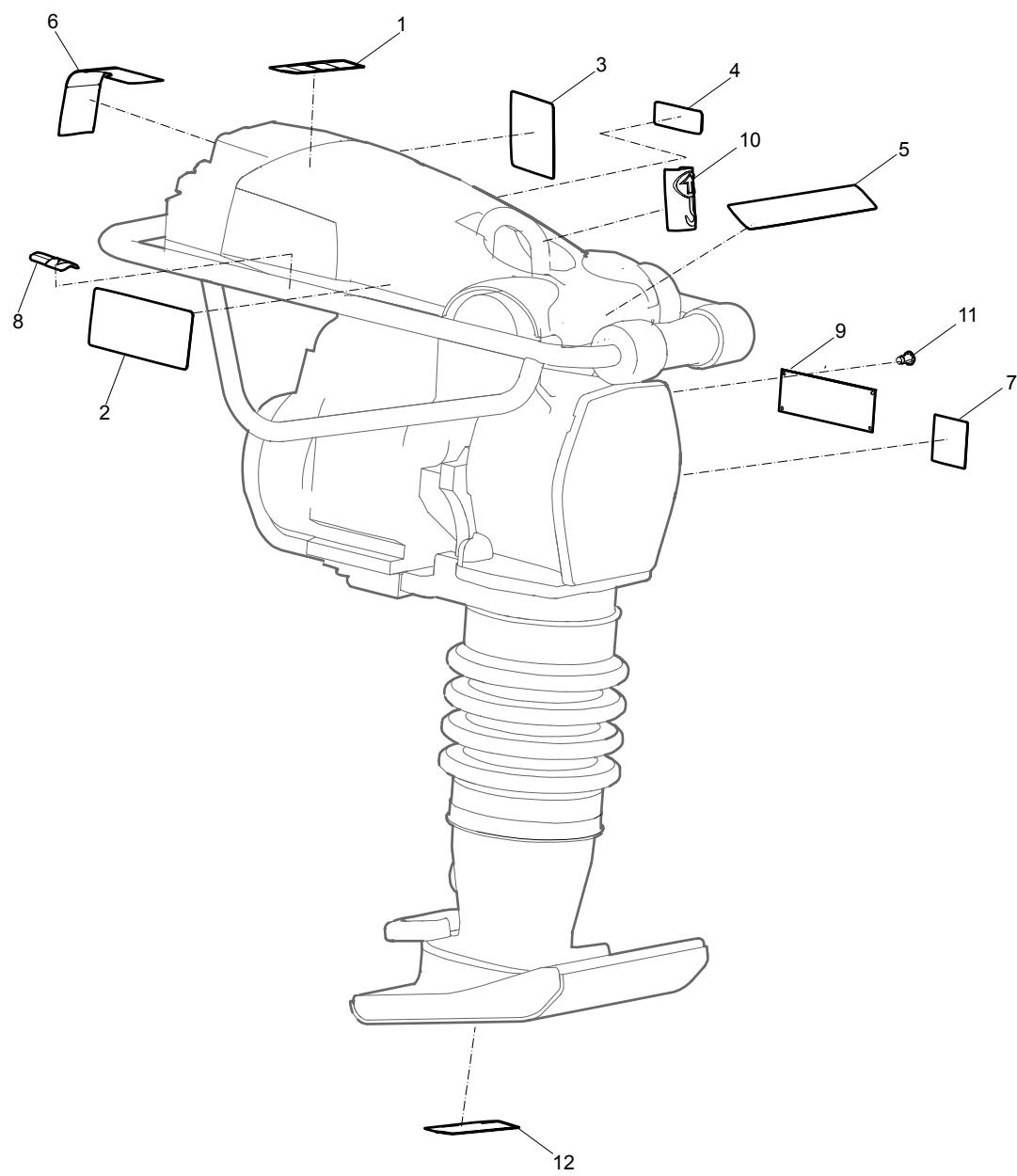


MS 690

Spare parts list

No.	Description	Remark	Quantity	Part number
1	Valve		1	4812 0702 08
2	Washer		2	4700 3974 94
3	Screw	M6 x 25 mm 8.8 A2K	2	-
4	Nut	M6 x 1 mm A2K	2	-
5	Bracket		1	4812 0703 67
6	Rivet	5 x 16 mm 0.20 x 0.63 in.	1	4811 0001 70
7	Adapter		1	4700 3905 65
8	Check valve		1	4700 9455 56
9	Hose clamp	10.2 x 8 mm 0.40 x 0.31 in.	15	4700 7915 74
10	Bracket		1	4812 0700 41
11	Connection		1	4700 9455 47
12	Fuel hose	70 mm 2.76 in.	1	4700 7926 13
13	Fuel hose	350 mm 13.80 in.	1	4700 7926 13
14	Fuel hose	35 mm 1.38 in.	1	4700 7926 13
15	Fuel hose	365 mm 14.37 in.	1	4700 7926 13
16	Fuel hose	180 mm 7.09 in.	1	4700 7926 13
17	Fuel hose	180 mm 7.09 in.	1	4700 7926 13
18	Fuel hose	150 mm 5.91 in.	1	4700 7926 13
19	Fuel hose	100 mm 3.94 in.	1	4700 7926 13

Labels



MS 690**Spare parts list**

No.	Description	Remark	Quantity	Part number
1	Label	Start instruction	1	4812 0703 65
2	Product label	"Chicago Pneumatic"	2	3382 0104 61
3	Label	Choke	1	4812 0702 39
4	Label	Choke	1	4700 3778 62
5	Product label	"MS 690"	1	4812 0705 60
6	Label	Start/Operating/Stop	1	4700 3854 95
7	Label	Sound power level	1	4700 7912 92
8	Safety label	Hot surfaces	1	4700 9043 66
9	Data plate		1	-
10	Label	Lifting point	2	4700 3575 87
11	Screw	KDS 2 x 5 mm	4	-
12	Safety label	Compressed spring package	1	4700 3771 25

Kits

One year service kit

One year service kit

Part number 4812 1555 56

Description	Remark	Quantity	Part number
Spark plug		1	4700 9389 34
Air filter		5	4700 3773 28
Gasket		1	4700 9384 77
Starter rope		1	4700 9389 79
Fuel filter		2	4700 3952 38

Shock absorber repair kit

Description	Remark	Quantity	Part number
Shock absorber repair kit		1	4812 1552 81
Nut	M8 x 1.25 mm A2K	8	-
Screw	M8 x 20 mm 8.8 A2K	4	-
Screw	M8 x 25 mm 8.8 A2K	4	-
Shock absorber		2	4700 3867 85
Cylindrical pin		4	4700 7913 23

Transmission repair kit

Description	Remark	Quantity	Part number
Transmission repair kit		1	4812 1552 83
Needle roller bearing		1	4700 9049 50
Deep groove ball bearing		1	4700 1110 78
Retaining ring for shaft		1	4700 1500 09
Needle roller bearing		1	4700 9049 49
Retaining ring for shaft		2	4700 1500 14
Deep groove ball bearing		2	4700 9035 20
Retaining ring for hole		2	4700 1510 25
Radial lip-type seal		1	4700 9049 52
Nut	M12 x 1.25 mm A3K	1	-
O-ring	210 x 3 mm 8.27 x 0.12 in. (70 shore)	1	4700 1601 06
Screw	M10 x 25 mm 8.8 A3K	4	-
O-ring	104.5 x 3 mm 4.11 x 0.12 in. (70 shore)	1	4700 1600 35
Washer	10.5 x 22 x 2 mm 0.41 x 0.87 x 0.08 in. 300 HV	4	-
Screw	M10 x 35 mm 8.8 A3K	4	-
Washer	8.4 x 26 x 3 mm 0.33 x 1.02 x 0.12 in.	1	-
Screw	M8 x 25 mm 8.8 A2K	1	-

Spring unit repair kit

Description	Remark	Quantity	Part number
Spring unit repair kit		1	4812 1552 84
Spring		1	4700 3808 95
Spring		1	4700 3808 94
Stop		6	4700 3808 99
Stop		6	4700 3809 02
Screw	M8 x 20 mm 8.8 A2K	2	-
Gasket		2	4700 3836 66
O-ring	129.5 x 3 mm 5.10 x 0.12 in. (70 shore)	2	4700 1600 54
Washer	8.7 x 14 x 1 mm 0.32 x 0.04 in. Type A	6	-
Fibre washer	27 x 32 x 2 mm 1.06 x 1.26 x 0.08 in.	6	-

Foot 230 mm (9 in.) repair kit

Description	Remark	Quantity	Part number
Foot 230 mm (9 in.) repair kit		1	4700 9381 82
Ground plate	230 mm 9 in.	1	4700 3826 87
Foot	230 mm 9 in.	1	4700 3826 88
Screw	M8 x 50 mm 8.8 NYLOK BLUE PATCH™ (Known as TUF-LOK® in Europe)	6	-
Nut	M8 x 1.25 mm A2K	6	-
Screw	M12 x 150 mm 10.9 GEOMET®	2	4700 7913 39
Screw	M12 x 100 mm 10.9 GEOMET®	2	4700 7910 85
Screw	M12 x 110 mm 10.9 GEOMET®	2	4700 7913 37
Nut	M12 x 1.75 mm A3K	6	-
Washer	8.4 x 22 x 3 mm 0.33 x 0.87 x 0.12 in. HV300	6	-

NYLOK BLUE PATCH is a trademark of Nylok Corporation. TUF-LOK is a registered trademark of Nylok Corporation in Europe.

GEOMET is a registered trademark of Nof Metal Coatings North America Inc.

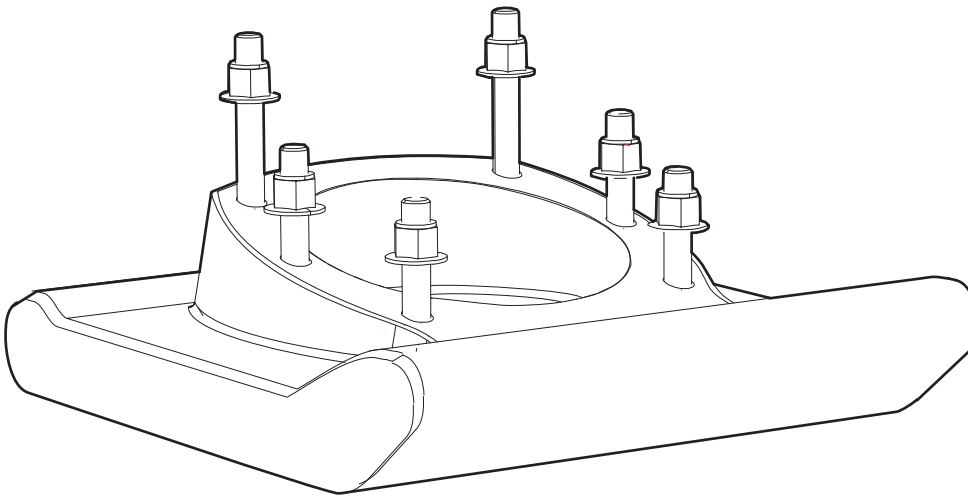
Foot 280 mm (11 in.) repair kit

Description	Remark	Quantity	Part number
Foot 280 mm (11 in.) repair kit		1	4700 9381 83
Ground plate	280 mm 11 in.	1	4700 3823 71
Foot	280 mm 11 in.	1	4700 3823 66
Screw	M8 x 50 mm 8.8 NYLOK BLUE PATCH™ (Known as TUF-LOK® in Europe)	8	4700 7913 31
Nut	M8 x 1.25 mm A2K	8	-
Screw	M12 x 150 mm 10.9 GEOMET®	2	4700 7913 39
Screw	M12 x 100 mm 10.9 GEOMET®	2	4700 7910 85
Screw	M12 x 110 mm 10.9 GEOMET®	2	4700 7913 37
Nut	M12 x 1.75 mm A3K	8	-
Washer	8.4 x 22 x 3 mm 0.33 x 0.87 x 0.12 in. HV300	8	-

NYLOK BLUE PATCH is a trademark of Nylok Corporation. TUF-LOK is a registered trademark of Nylok Corporation in Europe.

GEOMET is a registered trademark of Nof Metal Coatings North America Inc.

Silent foot 280 mm (11 in.) kit



Description	Remark	Quantity	Part number
Silent foot 280 mm (11 in.) kit		1	3820 0106 65
Foot		1	-
Nut	M12 x 1.75 mm A3K	6	-



Chicago
Pneumatic

2011-04 | No. 9800 1023 01

© Copyright Atlas Copco Construction Tools AB | STOCKHOLM • SWEDEN